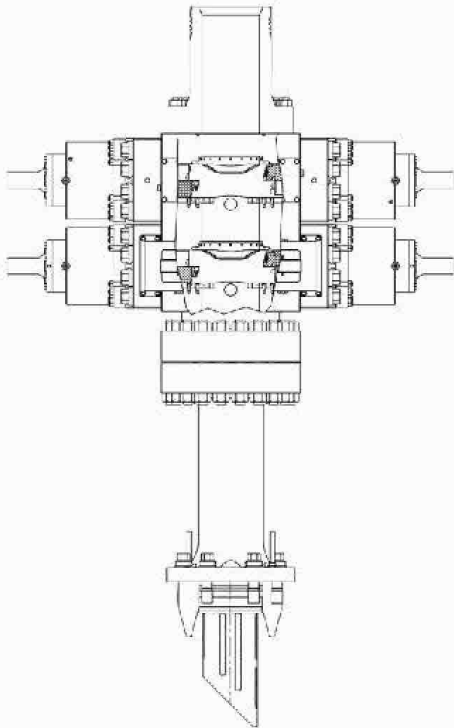


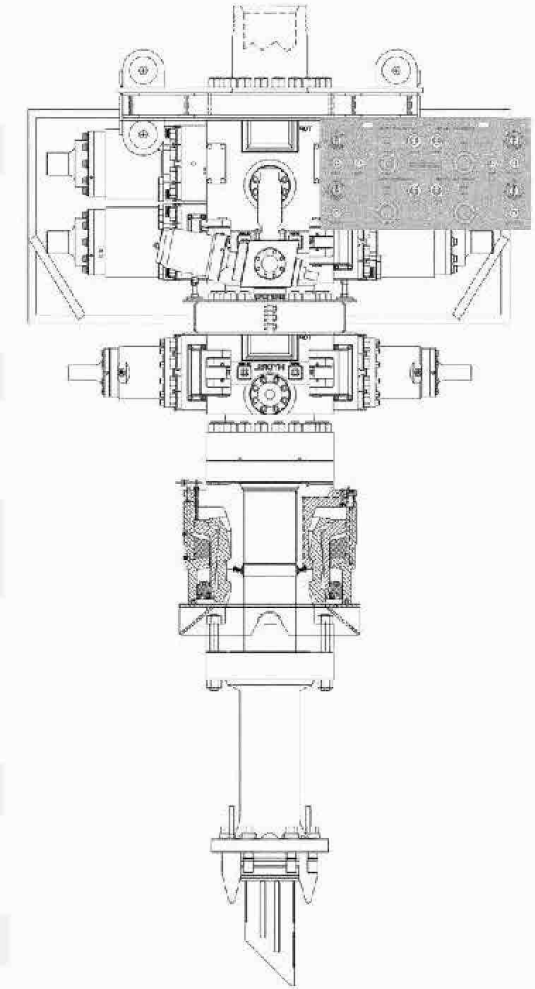
2-Ram Capping Stack vs. 3-Ram Capping Stack

2-Ram Capping Stack Shut In Only



- 2 BOP rams
- Capping Stack and Transition Spool with Mule Shoe deployed as single unit
- No side outlets
 - No fail open
 - No ability to vent pressure
 - No ability to relieve differential pressure across rams
- No hydrate mitigation
- Hard shut in

3-Ram Capping Stack Collection with Ability to Shut In



- 3 BOP rams
- Capping Stack and Transition Spool with Mule Shoe deployed as separate units
- 2 side outlets
 - Fail open
 - Ability to vent pressure
 - Ability to relieve differential pressure across rams
- Hydrate mitigation
- Soft shut in
- Pressure sensor