

## 2 Scope of Work

### 2.1 General

The scope of this work is the assessment of the integrity of the assembly. The major component sections will further define key sub-components.

① Triple Ram Stack

② Transition Spool

③ Flexjoint

④ Horizon LMRP

⑤ Horizon BOP

⑥ Wellhead Casing

① Triple Ram Stack

② Transition Spool

③ Flexjoint

④ Horizon LMRP

⑤ Horizon BOP

⑥ Wellhead Casing

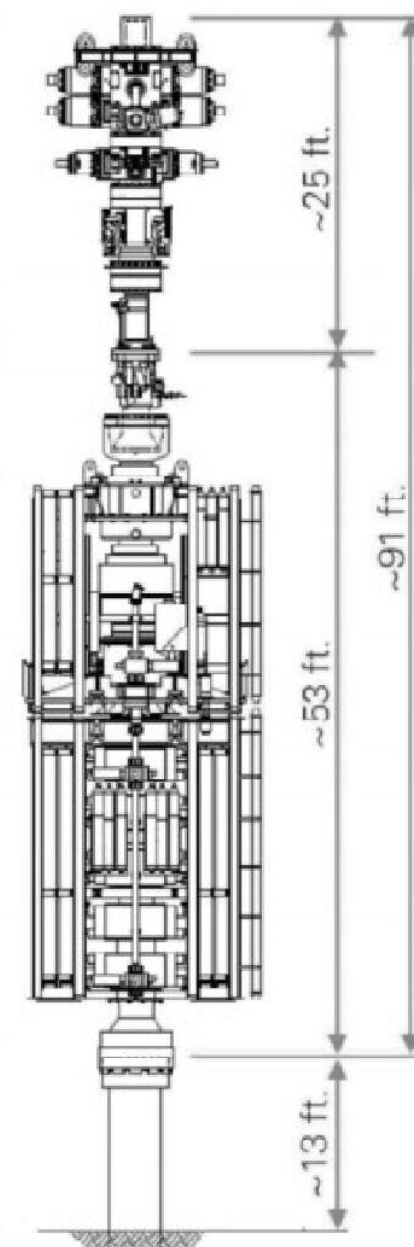


Figure 1 - Component

Title of Document:	Technical Assurance Report Well Casing with Triple Ram Stack
Authority:	Mark Nichols
Custodian/Owner:	Jim Bien
Retention Code:	ADM3000
Security Classification:	Project Confidential

Warning: Check DW Docs revision to ensure you are using the

TREX-120129.7

HIGHLY CONFIDENTIAL

LNL004-025906