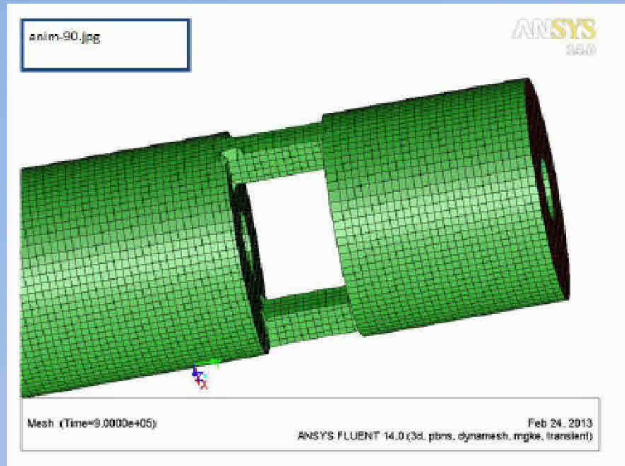
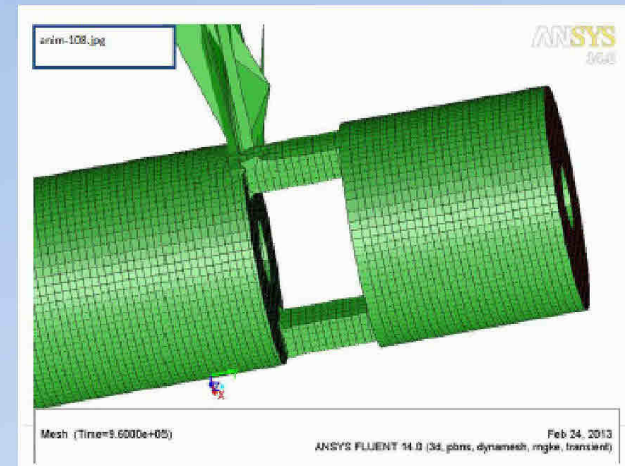


Explosion of Transient Model



10.4 Days



11.1 Days