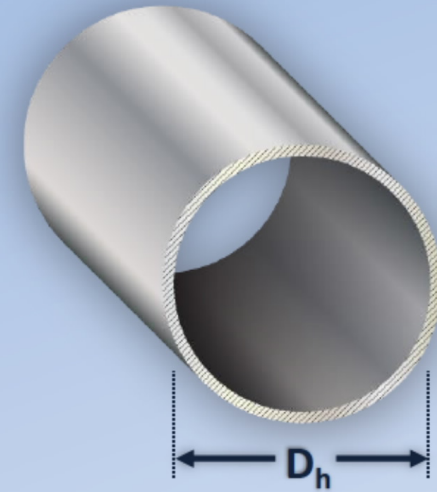
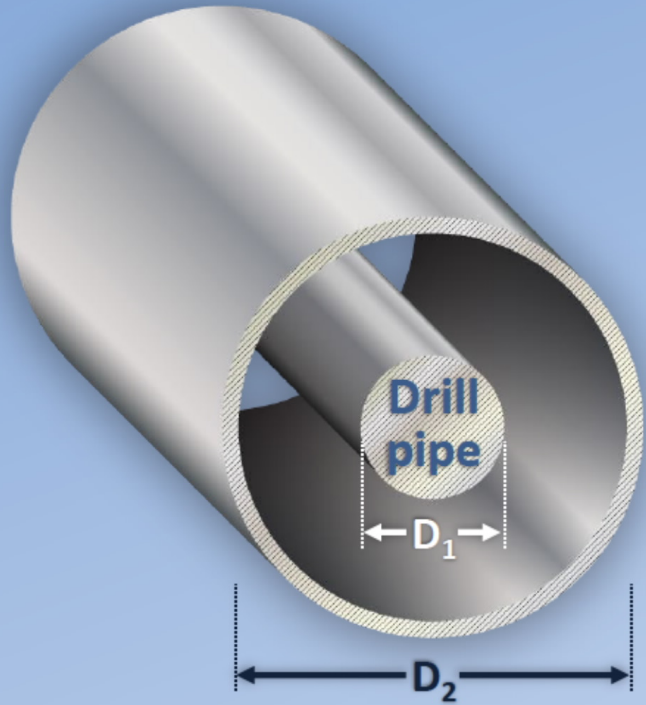


Hydraulic Diameter for Annular Flow



Annular Flow

$$D_h = D_2 - D_1$$

