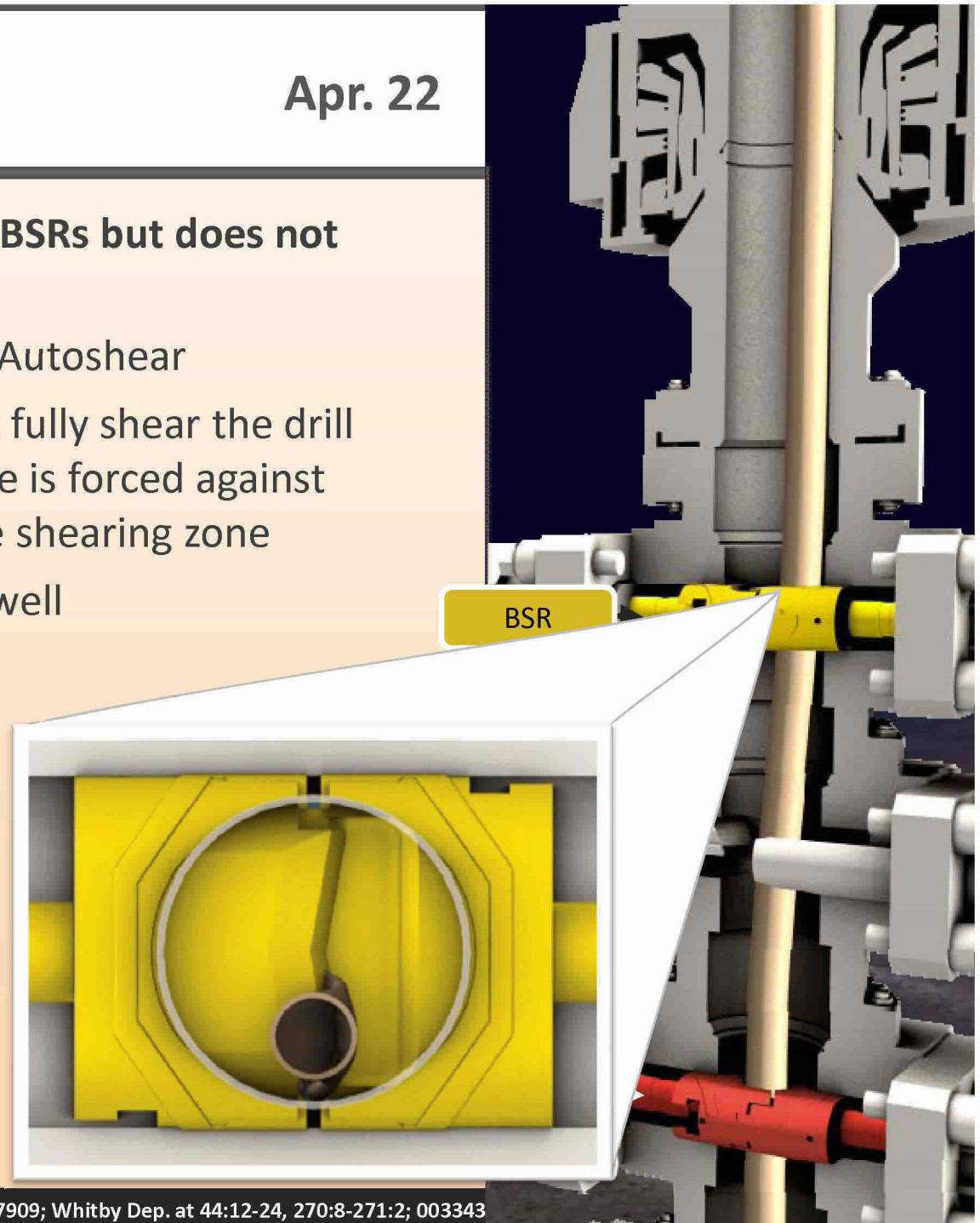


BOP Timeline

Apr. 22

- **07:48 – Autoshear closes BSRs but does not seal well**
 - ROV used to activate Autoshear
 - BSRs close but do not fully shear the drill pipe because drill pipe is forced against BOP bore and outside shearing zone
 - BSRs do not seal the well



D 4340A