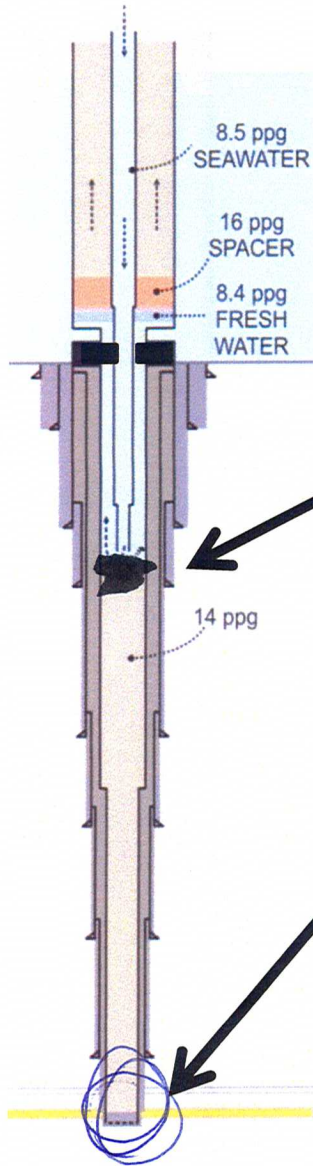


# Temporary Abandonment



Negative pressure differential must equate to full amount of planned underbalance to be "seen" by the cement shoe at the base of the well.

Reduce pressure above cement from drilling mud density to be less than

the pressure from the formation below/outside the cement being tested

4756(A)